

UC36D16-DV UC36DL16-DV

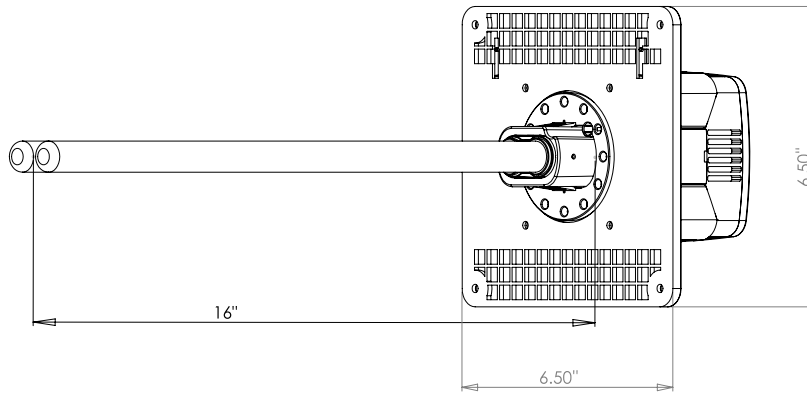
CLEAN COMFORT™
INDOOR AIR ESSENTIALS

Features

- Suitable for residential furnace installations
- 16" Dual UV-C lamps
- Includes 360° Parabolic UV Reflector
- Soft Start Electronics with Variable Voltage Protection
- Dual Voltage – 120VAC or 24VAC power
- Built in UV "Smart Light" Photocell indicator
- Optional Dealer programmable LCD
- Tandem feature for multiple units
- Fast, easy, versatile installation
- Convenient Snap in/out for lamp service
- High Temp model – Up to 220°F (104°C)
- 5 year limited warranty on power supply
- 1 year limited warranty on lamp

PREMIUM PLUS DUAL LAMP, DUAL VOLTAGE UV COIL PURIFIERS

For Air Handler Installations



Clean Comfort Dual Voltage UV Coil Purifier Specifications

POWER	MODEL DESIGNATION	HIGH TEMP	LCD	LAMP DIMENSIONS	LAMP HOURS	LAMP WATTAGE	UV $\mu\text{W}/\text{cm}^2$ at 2½ Feet
24VAC/12VAC 0.35A	UC36DL16-DV	NO	YES	16¼"L x 7 dia. (x2)	9000	36	224
24VAC/12VAC 0.35A	UC36D16-DV	YES	NO	16¼"L x 7 dia. (x2)	9000	36	224

5 YEAR PARTS
/ 1 YEAR LAMP
LIMITED
WARRANTY*

*Complete warranty details available from your local dealer or at www.cleancomfort.com

TECHNICAL SUPPORT • 1-866-876-8044 • www.cleancomfort.com

Our continuing commitment to quality products may mean a change in specifications without notice.
©2014 • **DAIKIN NORTH AMERICA LLC** • Houston, Texas • Printed in the USA.